



COMMERCIAL

Spare Parts List

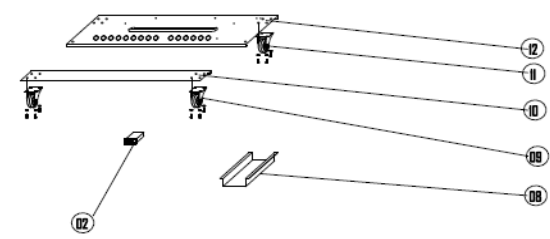
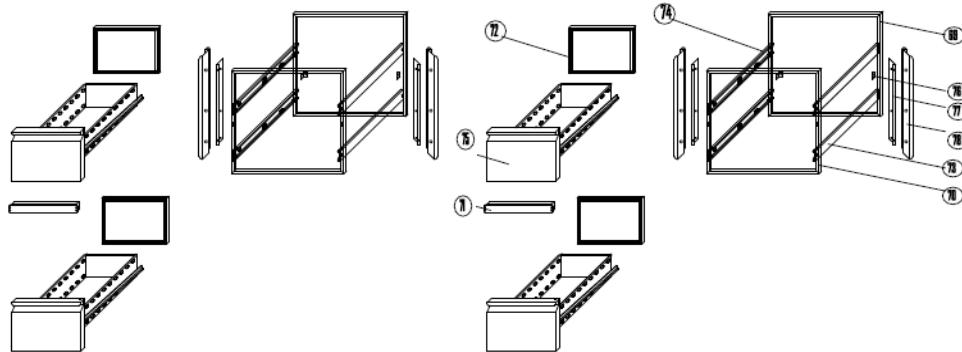
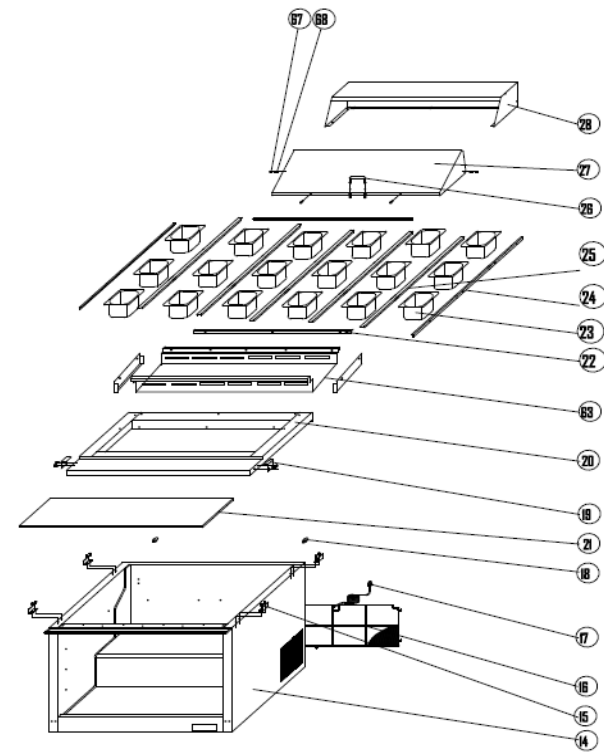
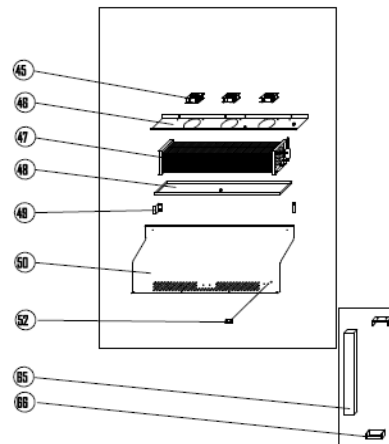
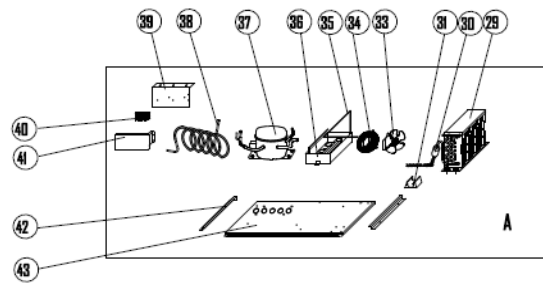
Model: KCHMT48.18.4D

PNC: 738287

REV: 6/5/2024

NO	DESCRIPTION	Serial #	QTY	COMPONENT PNC	Model Number	Model PNC
2	TEMPERATURE CONTROLLER	<01021234	1PC	0USF42	KCHMT48.18.4D	738287
		≥01021234	1PC	0USDET	KCHMT48.18.4D	738287
2a	Inner Chest Temperature Sensor Probe	ALL	1PC	0USC4C	KCHMT48.18.4D	738287
2b	Controller Mounting Plate	ALL	1PC	0USDIF	KCHMT48.18.4D	738287
4	THERMOSTAT FIX BOARD	ALL	1PC	0USJ47	KCHMT48.18.4D	738287
8	CABLE COVER	ALL	1PC	0USK07	KCHMT48.18.4D	738287
9	BRAKE WHEEL	ALL	2PCS	0USF03	KCHMT48.18.4D	738287
10	FRONT SUPPORT OF UNIT BOARD	ALL	1PC	0USJ59	KCHMT48.18.4D	738287
11	NORMAL WHEEL	ALL	2PCS	0USH63	KCHMT48.18.4D	738287
11a	Castor Mounting Bolt (4-PACK)	ALL	4PCS	0USC2U	KCHMT48.18.4D	738287
11b	Castor Mounting Locking Washer (4-PACK)	ALL	4PCS	0USC4A	KCHMT48.18.4D	738287
11c	Castor Mounting Flat Washer (4-PACK)	ALL	4PCS	0USC2X	KCHMT48.18.4D	738287
12	BACK SUPPORT OF UNIT BOARD	ALL	1PC	0USJ60	KCHMT48.18.4D	738287
14	BODY	ALL	1PC	N/A	KCHMT48.18.4D	738287
15	TOP CLIP	ALL	4PCS	0USL80	KCHMT48.18.4D	738287
16	UNIT ROOM COVER	ALL	1PC	0USI14	KCHMT48.18.4D	738287
17	PLUG	ALL	1PC	0USH67	KCHMT48.18.4D	738287
18	LOCATION KNOB	ALL	2PCS	0USH46	KCHMT48.18.4D	738287
19	FIXED PIN OF CUTTING BOARD	ALL	2PCS	0USG68	KCHMT48.18.4D	738287
20	TOP	ALL	1PC	0USM90	KCHMT48.18.4D	738287
21	CUTTING BOARD	ALL	1PC	0USM91	KCHMT48.18.4D	738287
22	PAN SUPPORT /FRONT	ALL	1PC	0USM92	KCHMT48.18.4D	738287
22a	PAN SUPPORT / BACK	ALL	1PC	0USDEH	KCHMT48.18.4D	738287
22b	Shelf Support Screw	ALL		0USM14	KCHMT48.18.4D	738287
23	STANDARD PAN	ALL	18PCS	N/A	KCHMT48.18.4D	738287
24	PAN SUPPORT /LEFT/RIGHT	ALL	2PCS	0USJ32	KCHMT48.18.4D	738287
25	PAN SUPPORT	ALL	5PCS	0USJ31	KCHMT48.18.4D	738287
26	HANDLE OF COVER	ALL	1PC	0USH09	KCHMT48.18.4D	738287
27	MOVING COVER	ALL	1PC	0USM93	KCHMT48.18.4D	738287
27a	MOVING COVER LINER	ALL	1PC	0USL46	KCHMT48.18.4D	738287
28	FIXED COVER	ALL	1PC	0USM94	KCHMT48.18.4D	738287
28a	FIXED COVER LINER	ALL	1PC	0USL71	KCHMT48.18.4D	738287
29	CONDENSER	ALL	1PC	0USF34	KCHMT48.18.4D	738287
30	FILTER DRIER	ALL	1PC	0USG66	KCHMT48.18.4D	738287
30a	CAPILLARY	ALL	1PC	0USM13	KCHMT48.18.4D	738287
31	DRIER SUPPORT	ALL	1PC	0USI78	KCHMT48.18.4D	738287
33	CONDENSER FAN	ALL	1PC	0USF40	KCHMT48.18.4D	738287
33a	CONDENSER FAN BLADE	ALL	1PC	0USC4J	KCHMT48.18.4D	738287
34	BASKET GUARD GRILLS	ALL	1PC	0USDIJ	KCHMT48.18.4D	738287
35	EVAPORATE PIPE	ALL	1PC	0USG14	KCHMT48.18.4D	738287
36	WATER BOX	ALL	1PC	0USI29	KCHMT48.18.4D	738287
37	COMPRESSOR	ALL	1PC	0USF28	KCHMT48.18.4D	738287
37a	COMPRESSOR ELECTRICAL COMPONENT SET	ALL	1PC	0USDF5	KCHMT48.18.4D	738287
38	SUCTION PIPE	ALL	1PC	0USM95	KCHMT48.18.4D	738287
39	CONNECTOR SUPPORT	ALL	1PC	0USDEE	KCHMT48.18.4D	738287
40	CABLE CONNECTION	ALL	1PC	0USF09	KCHMT48.18.4D	738287
41	CONNECTOR COVER	ALL	1PC	0USJ98	KCHMT48.18.4D	738287
42	GUIDE OF UNIT BOARD/LEFT	ALL	1PC	0USK50	KCHMT48.18.4D	738287
42a	GUIDE OF UNIT BOARD/RIGHT	ALL	1PC	0USK49	KCHMT48.18.4D	738287
43	UNIT BOARD	ALL	1PC	0USK32	KCHMT48.18.4D	738287

45	CIRCLE FAN	ALL	3PCS	0USF14	KCHMT48.18.4D	738287
46	CIRCLE FAN SUPPORT	ALL	1PC	0USL22	KCHMT48.18.4D	738287
47	EVAPORATOR	ALL	1PC	0USM96	KCHMT48.18.4D	738287
47a	Evaporator Temperature Sensor Probe	ALL	1PC	0USC6R	KCHMT48.18.4D	738287
48	EVAPORATOR WATER PAN	ALL	1PC	0USG59	KCHMT48.18.4D	738287
49	FIXED SUPPORT OF EVAPORATOR COVER	ALL	2PCS	0USK05	KCHMT48.18.4D	738287
50	EVAPORATOR COVER	ALL	1PC	0USL23	KCHMT48.18.4D	738287
52	SENSOR FIXED CLIP	ALL	1PC	0USM10	KCHMT48.18.4D	738287
63	CONDUCT BOARD	ALL	1PC	0USN00	KCHMT48.18.4D	738287
63a	CONDUCT BOARD SIDE PLATE	ALL	2PCS	0USL14	KCHMT48.18.4D	738287
65	MIDDLE GIRDER	ALL	1PC	0USC6D	KCHMT48.18.4D	738287
66	MIDDLE GIRDER FIXER	ALL	2PCS	0USH59	KCHMT48.18.4D	738287
67	FIXED BOLT	ALL	2PCS	0USG67	KCHMT48.18.4D	738287
68	FIXED NUT	ALL	2PCS	0USG73	KCHMT48.18.4D	738287
69	BACK FRAME	ALL	2PCS	0USN01	KCHMT48.18.4D	738287
70	FRONT FRAME	ALL	2PCS	0USN02	KCHMT48.18.4D	738287
70a	FRONT FRAME COVER (TOP)	ALL	1PC	0USM06	KCHMT48.18.4D	738287
70b	FRONT FRAME COVER (BOTTOM)	ALL	1PC	0USM06	KCHMT48.18.4D	738287
70c	FRONT FRAME COVER (LEFT)	ALL	1PC	0USM05	KCHMT48.18.4D	738287
70d	FRONT FRAME COVER (RIGHT)	ALL	1PC	0USDEG	KCHMT48.18.4D	738287
71	BRIDGE	ALL	2PCS	0USN03	KCHMT48.18.4D	738287
72	GASKET	ALL	4PCS	0USN04	KCHMT48.18.4D	738287
73	GUIDE (RIGHT)	<3092001	4PCS	0USM46	KCHMT48.18.4D	738287
		≥3092001	4PCS	0USE8B	KCHMT48.18.4D	738287
74	GUIDE (LEFT)	<3092001	4PCS	0USM47	KCHMT48.18.4D	738287
		≥3092001	4PCS	0USE8A	KCHMT48.18.4D	738287
75	DRAWER PANNEL	ALL	4PCS	0USN05	KCHMT48.18.4D	738287
75a	DRAWER BODY	ALL	4PCS	0USN06	KCHMT48.18.4D	738287
76	BACK FRAME CLIP	ALL	4PCS	0USM87	KCHMT48.18.4D	738287
77	DRAWER SUPPORT	ALL	4PCS	0USM51	KCHMT48.18.4D	738287
78	FRONT SUPPORT	ALL	4PCS	0USM52	KCHMT48.18.4D	738287



EXPLODE OF KCHMT48.18.4D